

# MOTORISED BUTTERFLY VALVE

 **LEADER<sup>®</sup> LVL<sup>®</sup>**  
LEADER VALVES LTD.

## Features:

- Wafer Type, Electric Actuator Operated for Remote Operation.
- Dynamic Sealing of disc at low Torque.
- Laminar flow regime due to Contoured profile Disc.
- S.G. Iron/CF8/CF8M Disc which is accurately guided between two stems.
- PTFE Stem Bushing Reduces Torque and isolates the stem from the valve Body preventing seizure of the stem.
- O-Ring prevents stem leakage.

## Applications:

- Water Application for Plumbing, HVAC, Fire Fighting & General Industries.

## Electrical Actuator detail:

- BMS Compatible
- On-Off Type
- Enclosure - IP67
- Supply Voltage 220 V AC, 50Hz
- Inbuilt Micro Switch Position feed back with Position Indicator
- Manual override option available (Allan-Key)



# MOTORISED BUTTERFLY VALVE

## Product range:

Size: : 2" To 16" (40mm to 400mm)  
 Pressure Rating : PN-16  
 End Connection : Wafer Type  
 Temperature : Up to 80°C  
 Material of Construction : CI, DI

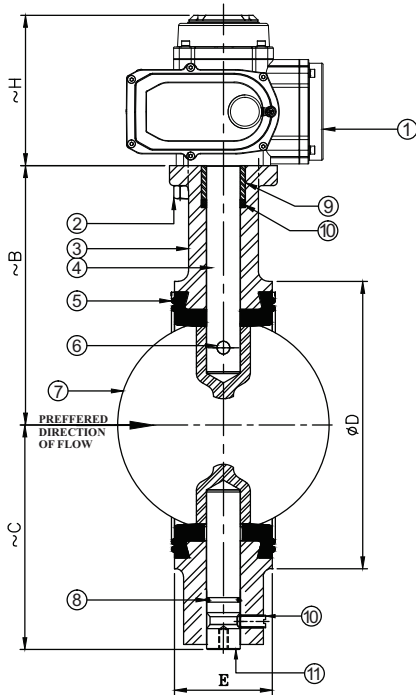
## Standards:

Design: IS: 13095 | BSEN 593 (BS5155)  
 Testing: IS-13095, BSEN: 12266



ITEM CODE

**CI091E**



STANDARD MATERIAL		
P. NO.	NAME OF PARTS	MATERIAL
1	ACTUATOR	ELECTRIC ACTUATOR
2	NUT	CARBON STEEL
3	BODY	CAST IRON
4	UPPER STEM	S.S. 410
5	MOULDED LINER	EPDM
6	TAPER PIN	HARDENED STEEL
7	DISC	D.I. / S.S. (CF8)
8	'O' RING	EPDM
9	BUSHING	PTFE
10	LOWER STEM	S.S. 410
11	GRUB SCREW	M.S.
12	PACKING	EPDM

DIMENSIONAL DATA							
VALVE SIZE	ACTUATOR MODEL	Operating Time/Torque	~B	~C	øD	~H	E
50MM	LVL-105B	25 Sec/50 Nm	100	70	95	127	43±2
65MM	LVL-105B	25 Sec/50 Nm	115	81	111	127	46±2
80MM	LVL-105B	25 Sec/50 Nm	125	81	120	127	46±2
100MM	LVL-105B	25 Sec/50 Nm	130	106	144	127	52±2
125MM	LVL-110B	25 Sec/100 Nm	160	142	175	160	56±2
150MM	LVL-110B	25 Sec/100 Nm	180	137	200	160	56±2
200MM	LVL-140B	25 Sec/400 Nm	200	159	255	175	60±2
250MM	LVL-160B	25 Sec/600 Nm	250	201	325	175	68±2
300MM	LVL-160B	25 Sec/600 Nm	280	248	374	175	78±3

**AUTHORISED CHANNEL PARTNER**